



# EASY A 1" – 1½" - 2"

## Filter

### Technical Sheet



M008-67 – Rev. 00 – 01/2014

The Culligan **EASY A** filter has been designed and manufactured in order to ensure a perfect water filtration. The raw inlet water passes through the STAINLESS STEEL filter element which stops the impurities suspended in the water.

The filter can be attached onto vertical or horizontal piping thanks to a brass swivel-joint fitting.

The filter mesh is completely cleaned by a special Turboclean rotor, which sends calibrated jets of water under pressure against the filter mesh.

The filter is provided with a double closure: the first closure is a ball-valve controlled by an electro-mechanical system and the second closure is controlled by a solenoid valve.

At the end of each cleaning cycle the solenoid valve frees and drops a sphere which closes the safety discharge.

If the electro-mechanical system, for any reason whatsoever, does not close the first valve (electrical power missing, mechanical breakage, processor fault, ...) the flow is interrupted by the safety sphere.

All materials are certified for foodstuffs and suitable for contact with potable water according to the most rigorous European regulations.

**During the cleaning cycle filtered water flow is always guaranteed to the utility.**

The filtering cartridge Inox AISI 316 guarantees an accurate and durable micrometric filtration.

The turboclean impeller ensures a total and precise backwashing of the cartridge with a very low water consumption: calibrated sprays all over the cartridge drains all the impurity (sand and silt) to the waste.

### MAINTENANCE

This consists in performing a wash to maintain the filter element efficient and clean by freeing the suspended impurities such as silt, sand, iron...

Set a washing interval according to the level of impurities present in the water being filtered.

The filter element must be substituted every 12 months.

### WARRANTY

The system is guaranteed for a period of two years, according to that given on the Culligan warranty claim/certificate. Refer to this certificate for the part regarding the terms and that giving the limits.

The warranty is invalidated if the system and/or its components are tampered with or in case of damage caused by power supply over voltages.

The warranty is invalidated in case of conditions or uses not envisaged for normal use of the system.

## IMPORTANT

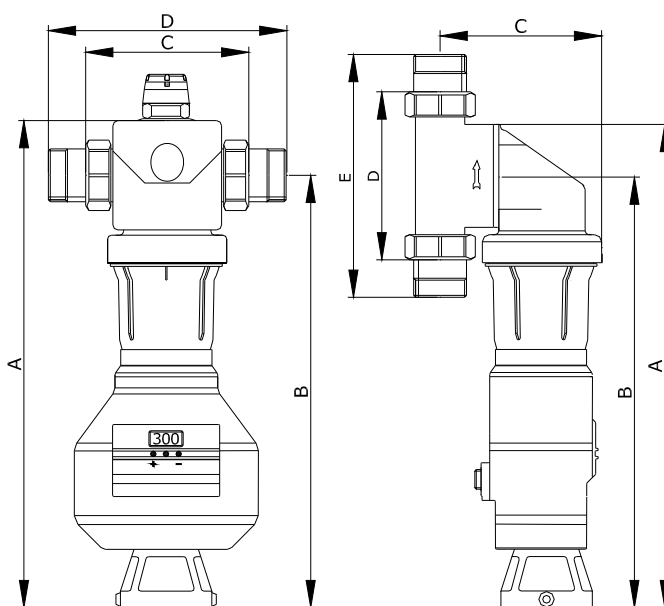
- **Equipment for the treatment of drinking water, conforming with the requirements of Min. Decree 25/2012.**
- Refer to the technical manual supplied with the system for all information and instructions.
- **Installation must be carried out by qualified personnel, in compliance with Min. Decree 37/08, the best state of the art and in conformity with the instructions given in the technical manual.**
- Any handling, installation, maintenance or repair work on the systems must be carried out by qualified personnel, in compliance with Min. Decree 37/08, the best state of the art and in conformity with the instructions given in the technical manual.
- The place where the systems, auxiliary material and consumables are located must comply with the storage, use and safety requirements of the current regulations.
- The water produced by each device must only be used for its specifically intended purpose. Culligan declines any liability for the consequences of improper use of the water produced by its equipment.
- Any operation fault in the systems must be promptly reported to the Culligan Service Center. Culligan declines any liability for the consequences of prolonged use of a faulty system.
- When necessary, the choice, dosing and handling of chemicals must be done by professionally qualified personnel, complying with the instructions provided by Culligan and in the Technical Safety sheets.
- Waste or consumable materials from the water treatment systems must be disposed of in accordance with the current regulations.
- Do not place the device on top of other electrical appliances.
- Position the device away from heat sources.
- In case of an anomaly (water leaks, etc.), disconnect the power supply and close the water inlet shutoff valve.
- Culligan also declines any liability in the following specific cases:
  - improper use of the device;
  - use contrary to the specific national regulations (power and water supplies, installation and maintenance);
  - installation without following the instructions supplied in this manual;
  - power and water supply faults (electrical discharges – voltage rushes – water supply overpressure – low water pressure);
  - unsuitable ambient operating temperature;
  - inadequate maintenance;
  - unauthorized work or modifications;
  - use of non-original replacement parts or not specific for the model;
  - total or partial non-compliance with the instructions;
- For anything not specified, the operator must rely on common sense when using the device.

# EASY A 1" – 1½" – 2" Filter

## TECHNICAL DATA

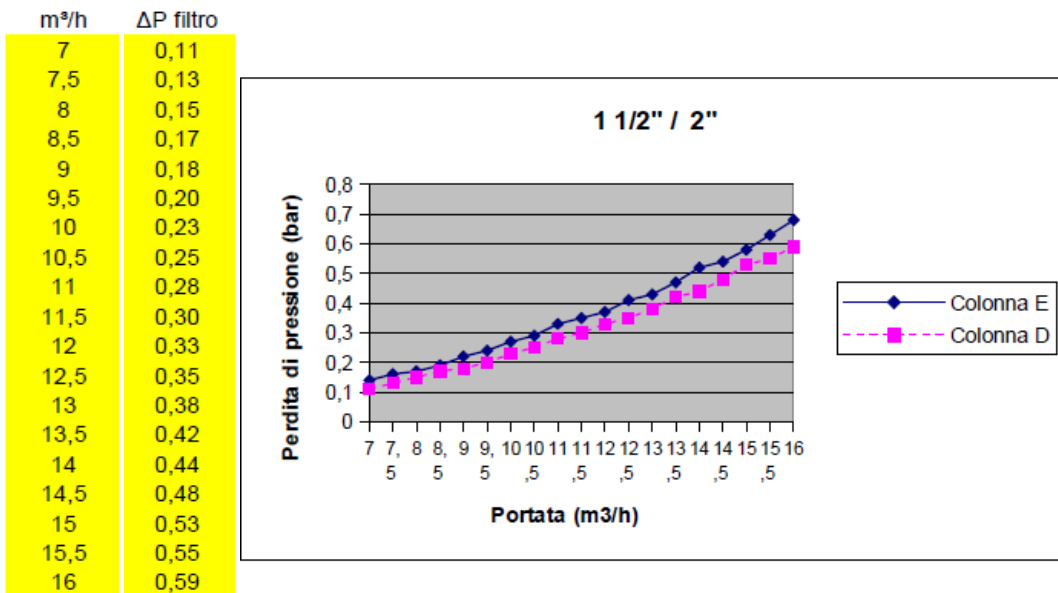
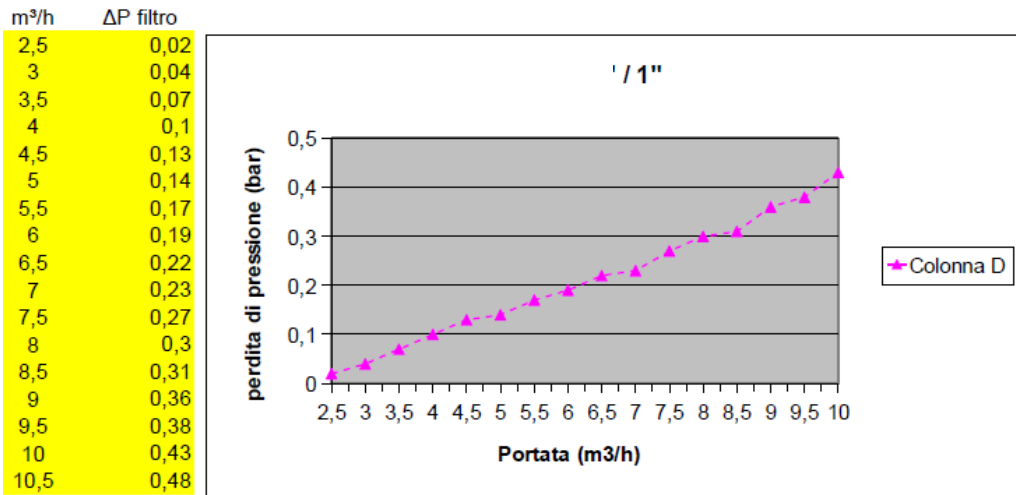
	1"	1 ½"	2"
Flow rate with $\Delta P = 0.2$ bar (m <sup>3</sup> /h)	6	8	9,5
Flow rate with $\Delta P = 0.5$ bar (m <sup>3</sup> /h)	10,8	13,3	14,9
DN	25	40	50
Tambientmin/max (°C)	5 - 40		
Twater min/max (°C)	5 – 80		
PN (bar)	16		
Filtration Standard level (µm)	89		
Available as spare parts (µm)	50 – 200 – 500		
Minimum working pressure (bar)	1		
Pressure reducer maximum inlet pressure (bar)	25		
Pressure reducer adjustment interval (bar)	1 – 6		
Water usage for counter-flow wash at 3 bars	ca. 15 l		
Discharge attachment	DN50		
Backwash filter element	Turboclean rotor with forced and calibrated jets		
Power supply	220V~ 24V – 50 Hz Shuko plug - Power cable length 2 m (about)		
Power absorption	18 W		
Protection level	IP20		
Shipping weight Kg	4,8	6	6,5

## DIMENSIONS



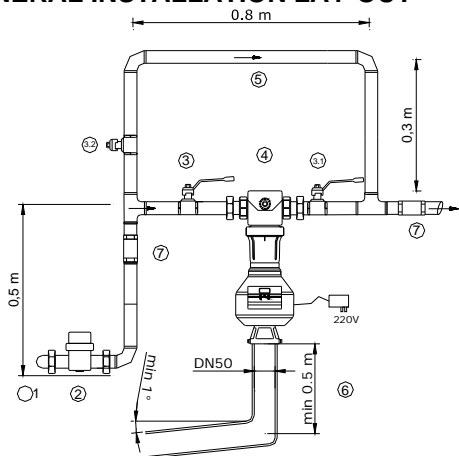
	1"	1 ½"	2"
<b>A</b>	380	380	380
<b>B</b>	339	339	339
<b>C</b>	110	110	110
<b>D</b>	183	254	262
<b>E</b>	122	128	128

PERFORMANCE GRAPHIC

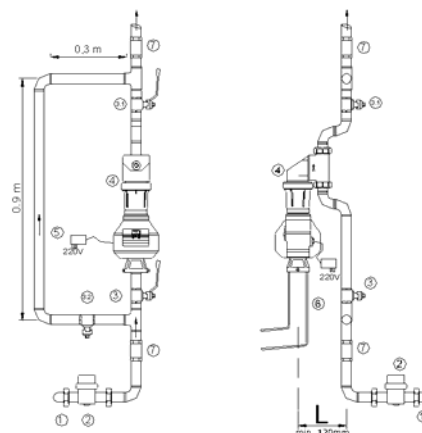


M008-67 – Rev. 00 – 01/2014

GENERAL INSTALLATION LAY-OUT



Horizontal installation



Vertical installation